

PRESCOT

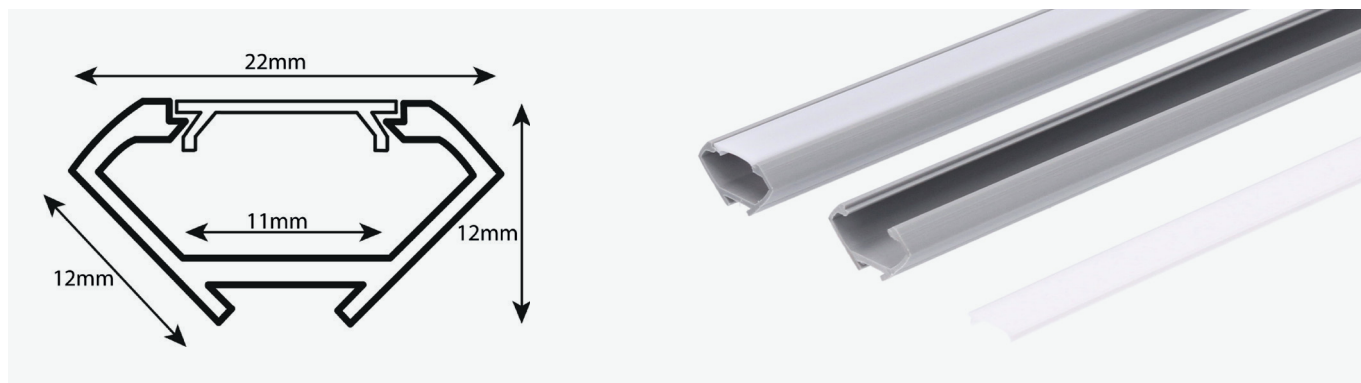
LED PROFILES

PCV



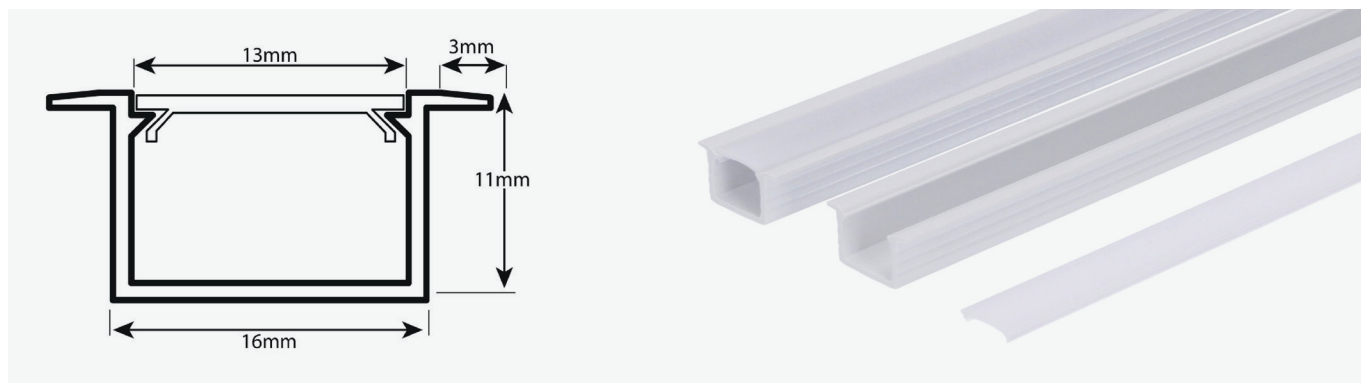


CORNER



CATALOG NO.	LENGTH [m]	COLOR	EAN
PCV-CORNER-W1ML	1	white	1219000000579
PCV-CORNER-BR1ML	1	brown	1219000000616
PCV-CORNER-BL1ML	1	black	1219000000630
PCV-CORNER-LG1ML	1	grey	1219000000593
PCV-CORNER-W2ML	2	white	1219000000586
PCV-CORNER-BR2ML	2	brown	1219000000623
PCV-CORNER-BL2ML	2	black	1219000000647
PCV-CORNER-LG2ML	2	grey	1219000000609
PCV-CORNER-W3ML	3	white	1219000009275
PCV-CORNER-BR3ML	3	brown	1219000009282
PCV-CORNER-BL3ML	3	black	1219000009299
PCV-CORNER-LG3ML	3	grey	1219000009305

FUGA



CATALOG NO.

LENGTH [m]

COLOR

EAN

PCV-FUGA-W1ML

1

white

1219000000258

PCV-FUGA-BR1ML

1

brown

1219000000296

PCV-FUGA-BL1ML

1

black

1219000000319

PCV-FUGA-LG1ML

1

grey

1219000000272

PCV-FUGA-W2ML

2

white

1219000000265

PCV-FUGA-BR2ML

2

brown

1219000000302

PCV-FUGA-BL2ML

2

black

1219000000326

PCV-FUGA-LG2ML

2

grey

1219000000289

PCV-FUGA-W3ML

3

white

1219000008698

PCV-FUGA-BR3ML

3

brown

1219000009312

PCV-FUGA-BL3ML

3

black

1219000008704

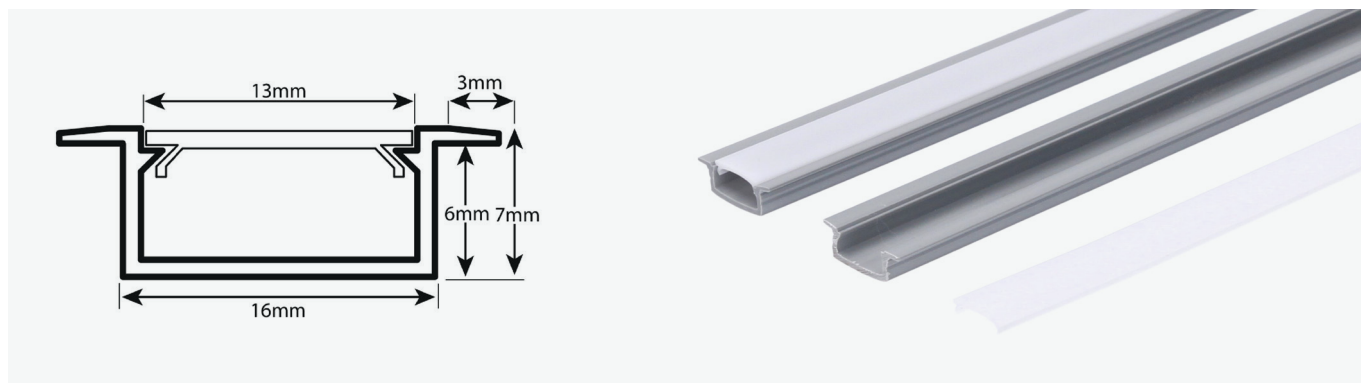
PCV-FUGA-LG3ML

3

grey

1219000009329

FUGAS



CATALOG NO.

LENGTH [m]

COLOR

EAN

PCV-FUGAS-W1ML

1

white

1219000000333

PCV-FUGAS-BR1ML

1

brown

1219000000371

PCV-FUGAS-BL1ML

1

black

1219000000401

PCV-FUGAS-LG1ML

1

grey

1219000000357

PCV-FUGAS-W2ML

2

white

1219000000340

PCV-FUGAS-BR2ML

2

brown

1219000000388

PCV-FUGAS-BL2ML

2

black

1219000000395

PCV-FUGAS-LG2ML

2

grey

1219000000364

PCV-FUGAS-W3ML

3

white

1219000009336

PCV-FUGAS-BR3ML

3

brown

1219000009343

PCV-FUGAS-BL3ML

3

black

1219000009350

PCV-FUGAS-LG3ML

3

grey

1219000009367

LINE



CATALOG NO.

LENGTH [m]

COLOR

EAN

PCV-LINE-W1ML

1

white

1219000000173

PCV-LINE-BR1ML

1

brown

1219000000210

PCV-LINE-BL1ML

1

black

1219000000234

PCV-LINE-LG1ML

1

grey

1219000000197

PCV-LINE-W2ML

2

white

1219000000180

PCV-LINE-BR2ML

2

brown

1219000000227

PCV-LINE-BL2ML

2

black

1219000000241

PCV-LINE-LG2ML

2

grey

1219000000203

PCV-LINE-W3ML

3

white

1219000000890

PCV-LINE-BR3ML

3

brown

1219000009374

PCV-LINE-BL3ML

3

black

1219000008643

PCV-LINE-LG3ML

3

grey

1219000009381

LINES



CATALOG NO.

LENGTH [m]

COLOR

EAN

PCV-LINES-W1ML

1

white

1219000000012

PCV-LINES-BR1ML

1

brown

1219000000050

PCV-LINES-BL1ML

1

black

1219000000074

PCV-LINES-LG1ML

1

grey

1219000000036

PCV-LINES-W2ML

2

white

1219000000029

PCV-LINES-BR2ML

2

brown

1219000000067

PCV-LINES-BL2ML

2

black

1219000000081

PCV-LINES-LG2ML

2

grey

1219000000043

PCV-LINES-W3ML

3

white

1219000008650

PCV-LINES-BR3ML

3

brown

1219000009398

PCV-LINES-BL3ML

3

black

1219000008667

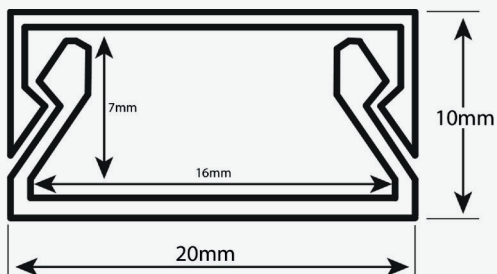
PCV-LINES-LG3ML

3

grey

1219000009404

MAX



CATALOG NO.

LENGTH [m]

COLOR

EAN

PCV-MAX-W1ML

1

white

1219000000418

PCV-MAX-BR1ML

1

brown

1219000000449

PCV-MAX-BL1ML

1

black

1219000000470

PCV-MAX-LG1ML

1

grey

1219000000432

PCV-MAX-W2ML

2

white

1219000000425

PCV-MAX-BR2ML

2

brown

1219000000463

PCV-MAX-BL2ML

2

black

1219000000487

PCV-MAX-LG2ML

2

grey

1219000000456

PCV-MAX-W3ML

3

white

1219000009411

PCV-MAX-BR3ML

3

brown

1219000009428

PCV-MAX-BL3ML

3

black

1219000009435

PCV-MAX-LG3ML

3

grey

1219000009442

MAXUP



CATALOG NO.	LENGTH [m]	COLOR	EAN
PCV-MAXUP-W1ML	1	white	1219000000494
PCV-MAXUP-BR1ML	1	brown	1219000000531
PCV-MAXUP-BL1ML	1	black	1219000000555
PCV-MAXUP-LG1ML	1	grey	1219000000517
PCV-MAXUP-W2ML	2	white	1219000000500
PCV-MAXUP-BR2ML	2	brown	1219000000548
PCV-MAXUP-BL2ML	2	black	1219000000562
PCV-MAXUP-LG2ML	2	grey	1219000000524
PCV-MAXUP-W3ML	3	white	1219000009459
PCV-MAXUP-BR3ML	3	brown	1219000009466
PCV-MAXUP-BL3ML	3	black	1219000009473
PCV-MAXUP-LG3ML	3	grey	1219000009480

STANDARD



CATALOG NO.

LENGTH [m]

COLOR

EAN

PCV-STD-W1ML

1

white

1219000000098

PCV-STD-BR1ML

1

brown

1219000000135

PCV-STD-BL1ML

1

black

1219000000159

PCV-STD-LG1ML

1

grey

1219000000111

PCV-STD-W2ML

2

white

1219000000104

PCV-STD-BR2ML

2

brown

1219000000142

PCV-STD-BL2ML

2

black

1219000000166

PCV-STD-LG2ML

2

grey

1219000000128

PCV-STD-W3ML

3

white

1219000008674

PCV-STD-BR3ML

3

brown

1219000009497

PCV-STD-BL3ML

3

black

1219000008681

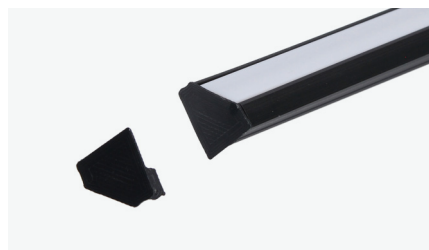
PCV-STD-LG3ML

3

grey

1219000009503

END CAPS



CATALOG NO.

EAN

CATALOG NO.

EAN

CATALOG NO.

EAN

PCV-CORNER-ZW 1219000001200

PCV-FUGA-ZW 1219000000883

PCV-LINE-ZW 1219000000807

PCV-CORNER-ZWO 1219000001217

PCV-FUGA-ZBR 1219000000920

PCV-LINE-ZWO 1219000000814

PCV-CORNER-ZBR 1219000001248

PCV-FUGA-ZBL 1219000000944

PCV-LINE-ZBR 1219000000845

PCV-CORNER-ZBRO 1219000001255

PCV-FUGA-ZLG 1219000000906

PCV-LINE-ZBRO 1219000000852

PCV-CORNER-ZBL 1219000001262

PCV-LINE-ZBL 1219000000869

PCV-CORNER-ZBLO 1219000001279

PCV-LINE-ZBLO 1219000000876

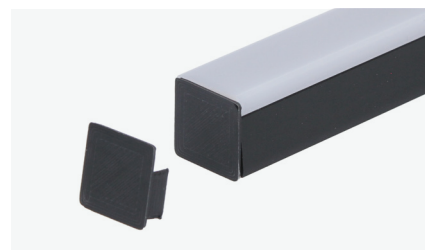
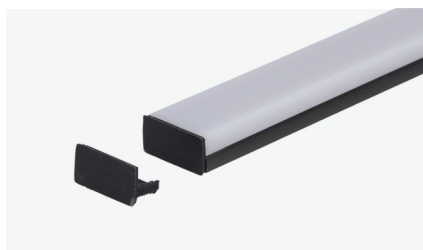
PCV-CORNER-ZLG 1219000001224

PCV-LINE-ZLG 1219000000821

PCV-CORNER-ZLGO 1219000001231

PCV-LINE-ZLGO 1219000000838

END CAPS



CATALOG NO.

EAN

CATALOG NO.

EAN

CATALOG NO.

EAN

PCV-LINES-ZW

1219000000739

PCV-MAX-ZW

1219000001040

PCV-MAXUP-ZW

1219000001125

PCV-LINES-ZWO

1219000001286

PCV-MAX-ZWO

1219000001057

PCV-MAXUP-ZWO

1219000001132

PCV-LINES-ZBR

1219000000760

PCV-MAX-ZBR

1219000001088

PCV-MAXUP-ZBR

1219000001163

PCV-LINES-ZBRO

1219000000777

PCV-MAX-ZBRO

1219000001095

PCV-MAXUP-ZBRO

1219000001170

PCV-LINES-ZBL

1219000000784

PCV-MAX-ZBL

1219000001101

PCV-MAXUP-ZBL

1219000001187

PCV-LINES-ZBLO

1219000000791

PCV-MAX-ZBLO

1219000001118

PCV-MAXUP-ZBLO

1219000001194

PCV-LINES-ZLG

1219000000746

PCV-MAX-ZLG

1219000001064

PCV-MAXUP-ZLG

1219000001149

PCV-LINES-ZLGO

1219000000753

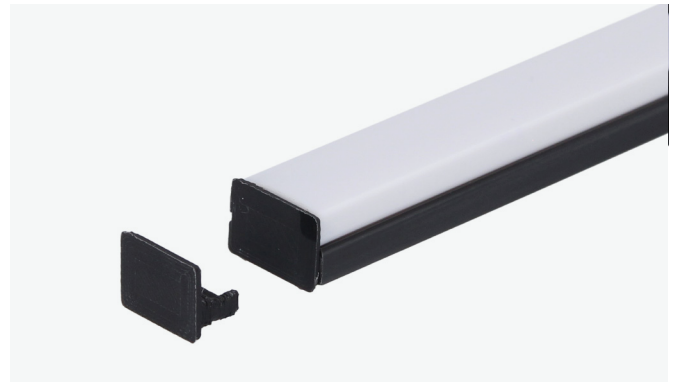
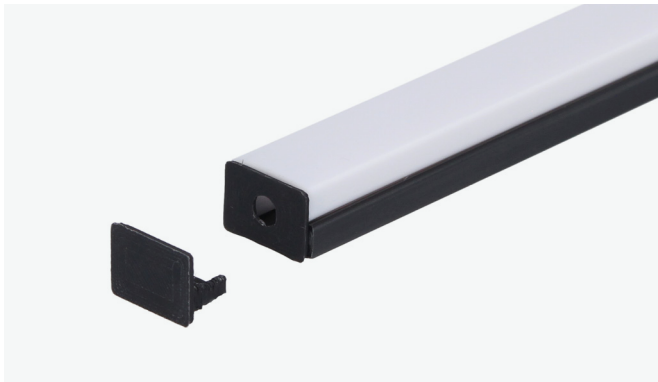
PCV-MAX-ZLGO

1219000001071

PCV-MAXUP-ZLGO

1219000001156

END CAPS



CATALOG NO.

PCV-STD-ZW

PCV-STD-ZWO

PCV-STD-ZBR

PCV-STD-ZBRO

PCV-STD-ZBL

PCV-STD-ZBLO

PCV-STD-ZLG

PCV-STD-ZLGO



EAN

1219000000654

1219000000661

1219000000692

1219000000708

1219000000715

1219000000722

1219000000678

1219000000685

PRESCOT LED

PRESCOT Sp. z o.o.

Wilenska 1, 11-500 Gizycko

Telephone: +48 87 428 21 18

Fax: +48 87 428 17 09

komponenty@prescot.pl

www.prescot.pl