

PRESCOT

LED POWER SUPPLIES

MODULAR



MODULAR



 CATALOG NO.	 OUTPUT VOLTAGE [V]	 INPUT VOLTAGE [V]	 POWER [W]	 CURRENT [A]	 DIMENSION LxWxH [mm]	 PROTECTION	 OUTPUT VOLTAGE CONTROL	 EAN
PR-15-12	12	220	15	1,25	70x40x31	IP20	YES	5901885262727
PR-15-12A	12	220	15	1,25	70x40x31	IP20	-	5903684855292
PR-25-12	12	220	25	2,1	85x58x32	IP20	YES	5901885262734
PR-38-12	12	220	38	3,2	85x58x32	IP20	YES	5901885262741
PR-50-12	12	220	50	4,2	111x78x36	IP20	YES	5901885262758
PR-50-12A	12	220	50	4,2	111x78x36	IP20	-	5903684855308
PR-60-12	12	220	60	5	111x78x36	IP20	YES	5901885262765
PR-75-12	12	220	75	6,25	111x78x36	IP20	YES	5901885262772
PR-75-12A	12	220	75	6,25	111x78x36	IP20	-	5903684855315
PR-100-12	12	220	100	8,3	159x98x42	IP20	YES	5901885262789
PR-150-12	12	220	150	12,5	198x98x42	IP20	YES	5901885262796

MODULAR

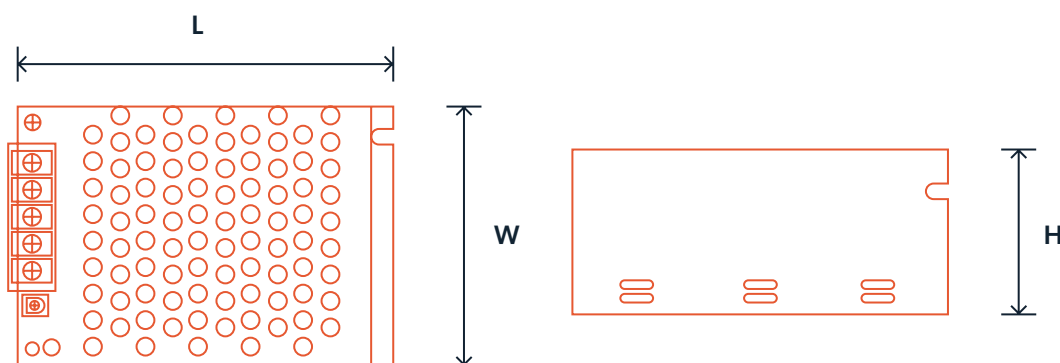


CATALOG NO.	OUTPUT VOLTAGE [V]	INPUT VOLTAGE [V]	POWER [W]	CURRENT [A]	DIMENSION LxWxH [mm]	PROTECTION	OUTPUT VOLTAGE CONTROL	EAN
PR-200-12	12	220	200	16,7	198x98x42	IP20	YES	5901885262802
PR-200-12A	12	220	200	16,7	198x98x42	IP20	-	5903684855322
PR-250-12	12	220	250	20,8	198x98x42	IP20	YES	5901885262819
PR-360-12	12	220	360	30	215x113x50	IP20	YES	5901885262826
PR-15-24	24	220	15	0,63	70x40x31	IP20	YES	5901885262833
PR-25-24	24	220	25	1	85x58x32	IP20	YES	5901885262840
PR-38-24	24	220	38	1	85x58x32	IP20	YES	5901885262857
PR-50-24	24	220	50	1,6	111x78x36	IP20	YES	5901885262864
PR-60-24	24	220	60	2,5	111x78x36	IP20	YES	5901885262871
PR-75-24	24	220	75	3,12	111x78x36	IP20	YES	5901885262888
PR-100-24	24	220	100	4,2	159x98x42	IP20	YES	5901885262895

MODULAR



CATALOG NO.	OUTPUT VOLTAGE [V]	INPUT VOLTAGE [V]	POWER [W]	CURRENT [A]	DIMENSION LxWxH [mm]	PROTECTION	OUTPUT VOLTAGE CONTROL	EAN
PR-150-24	24	220	150	6,25	198x98x42	IP20	YES	5901885262901
PR-200-24	24	220	200	8,33	198x98x42	IP20	YES	5901885262918
PR-250-24	24	220	250	10,4	198x98x42	IP20	YES	5901885262925
PR-360-24	24	220	360	15	215x113x50	IP20	YES	5901885262932



PRESCOT LED

PRESCOT Sp. z o.o.

Wilenska 1, 11-500 Gizycko

Telephone: +48 87 428 21 18

Fax: +48 87 428 17 09

komponenty@prescot.pl

www.prescot.pl